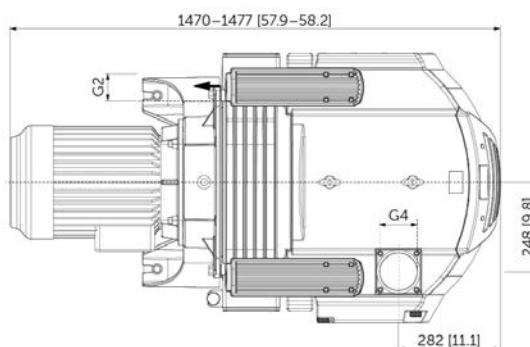
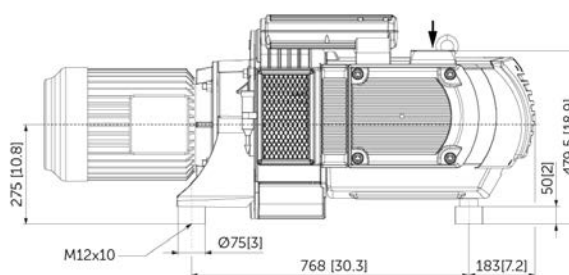
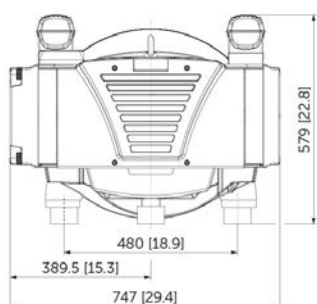




Model: **VTLF2.500**

SPECIFICATIONS

Volume flow 50 Hz	495 m ³ /h
Vacuum absolute 50 Hz	250 mbar
Power 50 Hz	11.0 kW
Noise Level 50 Hz	79.0 dB(A)
Volume flow 60 Hz	570 m ³ /h
Vacuum absolute 60 Hz	250 mbar
Power 60 Hz	13.2 kW
Noise Level 60 Hz	80.0 dB(A)
Weight	248.0 kg without motor



mm [inch]

BECKER VTLF 2.500